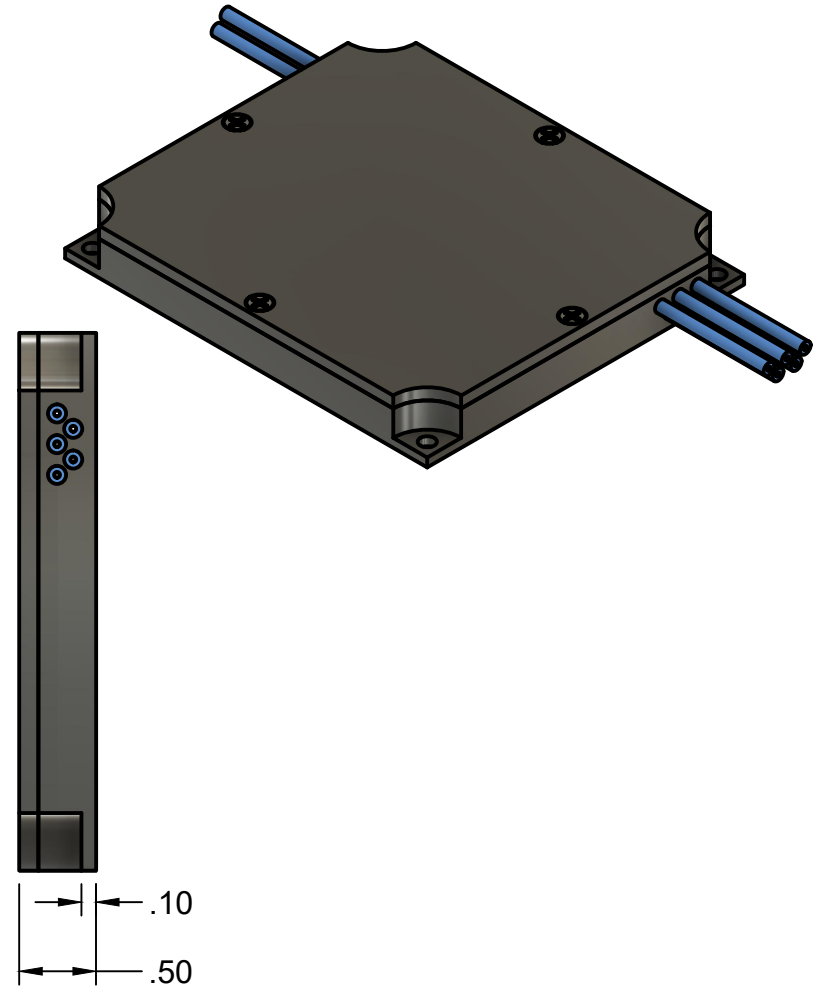
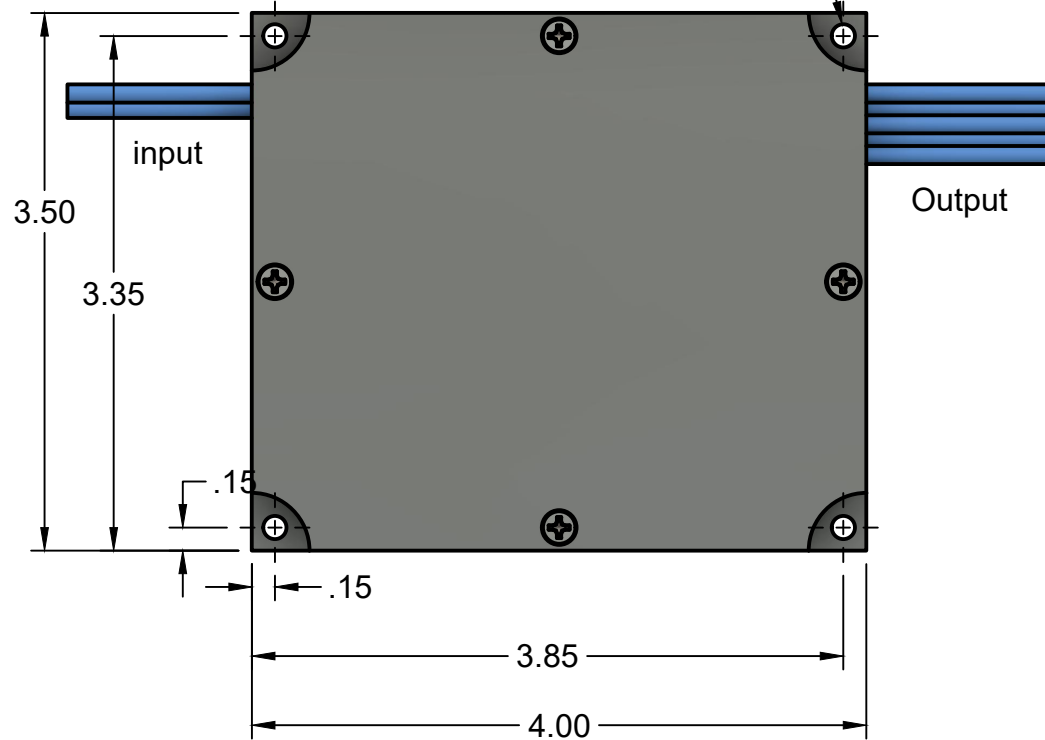


4X Ø.15 THRU
Clearance for #6-32



Note 1: Typical 2X5 configuration shown.

Tolerances (angular and linear)
(Except where stated)
.XXX ± .002"
.XX ± .005"
.X ± .010"
Angular ± 0.50°
All units in Std. inch

Evanescent Optics Inc.

3325 North service Road, Burlington Ontario Canada L7N 3G2.
Tel: +1(905)336-2626

Material: ----	Drawn by: Marc Meuris	Project: EOI PROJECTS	Rev: A
Surface Finish Ra < 63	Approved by:	Part name: 3.4X4.0 3mm Sleeving v1	Size: A
Drawn for reference only	Date: 5/09/24	Part number: 3.4X4.0 3mm Sleeving	Scale: 4:5
		Quantity:	Sheet: 1/1